



TSC1
TSC1-DIN
TSC1-DIN/EC

SURGE COUNTER AND EARTH CLAMP

Novaris transient event counters are designed to count lightning strikes and other surge events. This provides the user with valuable information on how frequently the site experiences lightning strikes and other surge events. Furthermore, the user gains an important insight into the performance of their surge protection equipment.

DIN 43880 Compliant

Housed in DIN 43880 compliant enclosures the TSC1-DIN allows for convenient installation on DIN rail fittings commonly used in switchboards worldwide.

Safe Metal Enclosure

The TSC1-DIN is housed in a safe all metal enclosure. In the event of a prolonged overvoltage they will not catch fire or explode.

Reliable and Consistent

Novaris transient event counters are engineered for reliable, consistent performance. The display is powered by a

lithium battery with a 10-year lifetime that ensures ongoing performance long into the future.

Dual Functionality

The TSC1-DIN/EC model features dual functionality: surge counting and earth clamping. During a surge, sites with separate earthing systems are highly susceptible to damage caused by differences in earth potential. This is a major cause of equipment damage.

The TSC1-DIN/EC overcomes the problem by employing a very high-energy gas-filled surge arrester that electrically clamps separate earthing systems together during disturbances. Upon restoration of normal conditions the earth clamp automatically resets and the earthing systems are again isolated.

- ◆ DIN 43880 Compliant
- ◆ Safe Metal Enclosure

Ordering Guide

TSC1- x /y

x = DIN rail version: DIN
y = Earth Clamp: EC

Installation

TSC1: Using the clamps provided, the TSC1 model is simply clamped to a downconductor or to an earth return conductor of a surge diverter or surge filter.

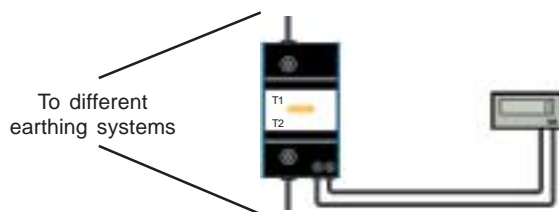


TSC1-DIN: The TSC1-DIN model is connected between earth and the earth terminal of a surge diverter or surge filter as shown below. **Lead lengths must be kept as short as possible.** Note that the unit will work equally as effectively with the connections to terminals T1 and T2 reversed. This should be considered during installation as it may result in shorter leads.

To earth terminal of surge diverter or surge filter

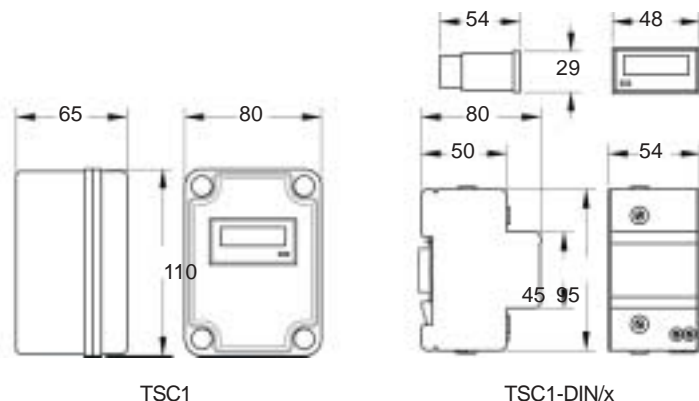


The LCD display unit is connected as shown below. The connecting leads can be made as long as 3 metres, allowing the display unit to be panel mounted in a convenient location.



TSC1-DIN/EC: The TSC1-DIN/EC model is connected between two different earthing systems as shown above. Lead lengths must be kept as short as possible.

Dimensions



Specifications

All models

Description: Transient event counter
 Sensitivity: 100A
 > 100A available on request
 Working temperature: -40 → 85 °C
 Working humidity: 0 → 90%
 Powered by: 10 year lithium battery
 Display: Resettable LCD display

TSC1

Peak surge handling: > 150kA (8/20µs)
 Enclosure: IP66 - dust and water resistant
 Mounting: Easily clamps onto conductors up to 17mm thick
 (greater clamping capacity available on request)
 Weight: 400g

TSC1-DIN

Peak surge handling: > 150kA (8/20µs)
 Mounting: DIN rail
 (panel mount brackets available on request)
 Weight: 600g

TSC1-DIN/EC

Sparkover voltage: 230VDC
 Peak surge handling: 150kA (8/20µs)
 Mounting: DIN rail
 (panel mount brackets available on request)
 Weight: 600g

Distributed by:



72 Browns Road, Kingston, TAS. 7050 AUSTRALIA

Telephone +61 3 6229 7233
 Facsimile +61 3 6229 9245
 E-mail sales@novaris.com.au
 Web site www.novaris.com.au