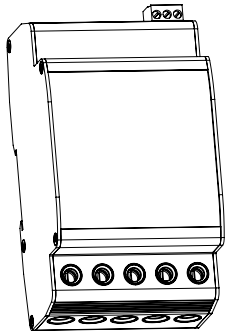
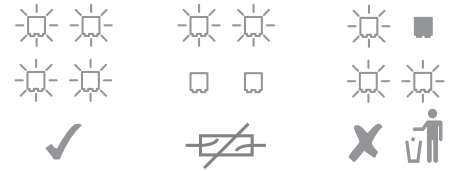


Novaris®

SDN Three Phase MULTIMOV Surge Diverter



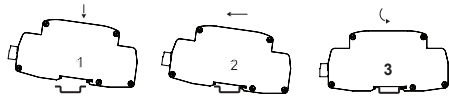
Uc	~275V
Up (AS/NZS)	< 800V
# Ports	One
t _A	< 25ns
Protection	L-N, L-PE, N-PE
I _{PE}	< 10uA
Mounting	TS35 DIN rail, 4mm Screw
Location	Indoor
Environmental	IP20
	-40° to +70°C
	5 to 95% (non-condensing)



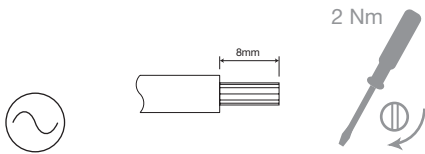
IEC 61643-11
DIN VDE 0675-6-11
AS/NZS 1768
IEEE C62.41

Type 1 + 2
class C
categories B, C
categories B, C

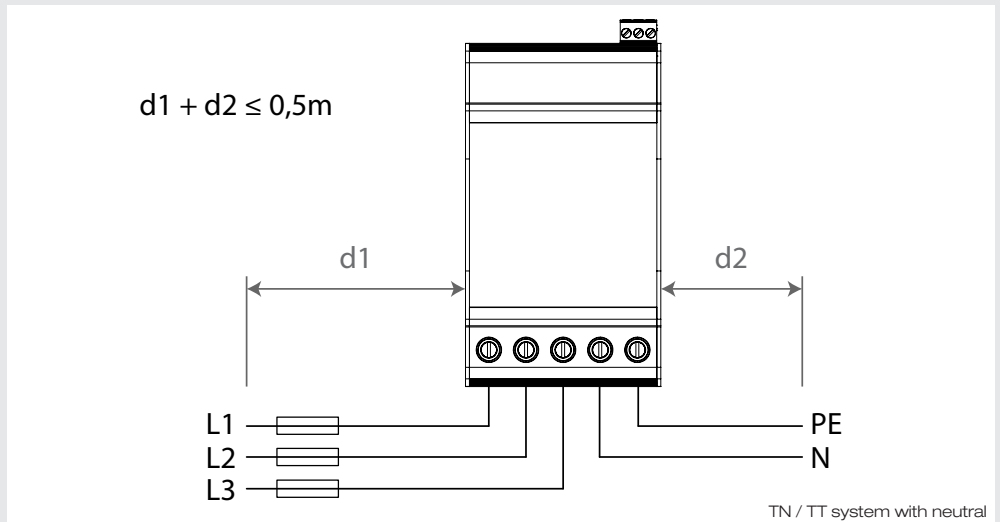
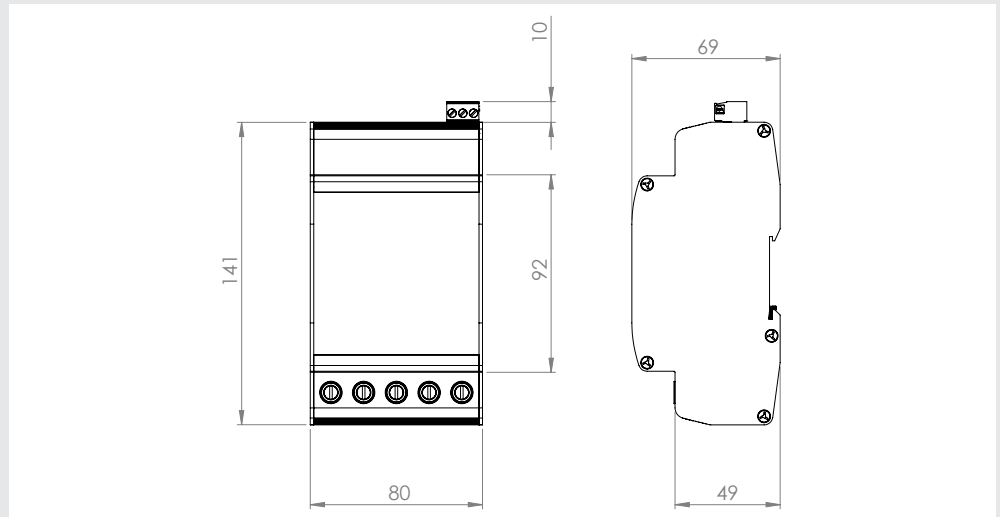
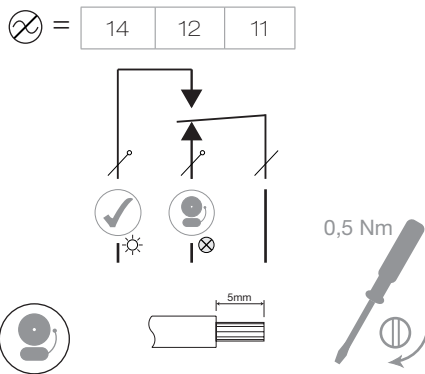
0023-D7V1



Power	
min L, N, PE	2,5 mm ²
max L, N, PE	16 mm ²



Alarm	
11, 12, 14	≤ 2,5 mm ²



Product Code	L-N I _{max} Max. impulse 1x 8/20us	L-N I _n Nom. impulse 15 x 8/20us	N-PE I _{max} Max. impulse 1x 8/20us	N-PE I _n Nom. impulse 15 x 8/20us	I _{SCCR} Max. switchboard fault rating	F max Max. Fuse at I _{SCCR}	Weight
SDN3-100-275	100kA	40kA	80kA	60kA	25kA	63 A gG	650g
SDN3-150-275	150kA	60kA	150kA	100kA	25kA	80 A gG	725g
SDN3-200-275	200kA	80kA	150kA	100kA	50kA	100 A gG	800g

Australian Designed