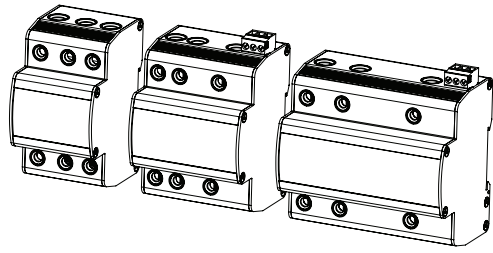
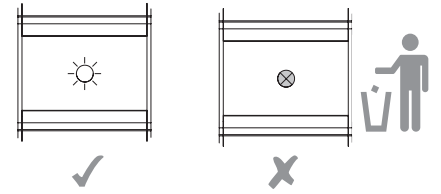


Novaris®

Single Phase DINsafe Surge Filters



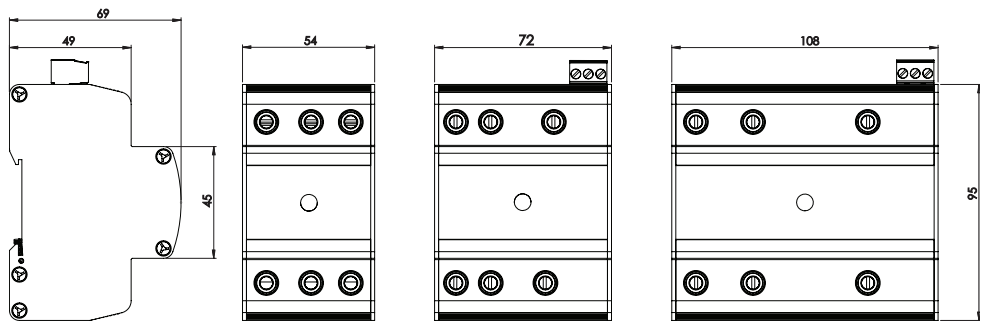
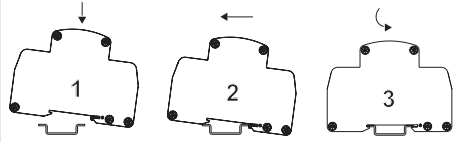
Uc	~275V
Up (AS/NZS)	< 600V
# Ports	One
t _A	< 5ns
Protection	L-N, L-PE, N-PE
I _{PE}	< 10uA
Mounting	TS35 DIN rail
Location	Indoor
Environmental	IP20
	-40° to +70°C
	5 to 95% (non-condensing)



IEC 61643-1
DIN VDE 0675-6-11
AS/NZS 1768
IEEE C62.41

class II
class C
categories B, C
categories B, C

0024-D12V1



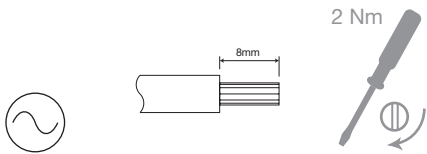
SFD1-6-50-275
SFD1-10-50-275

SFD1-6-50-275-A
SFD1-10-50-275-A
SFD1-20-50-275(-A)
SFD1-20-100-275(-A)

SFD1-32-50-275(-A)
SFD1-32-100-275(-A)

Power	
min L, N, PE	2,5 mm ²
max L, N, PE	16 mm ²

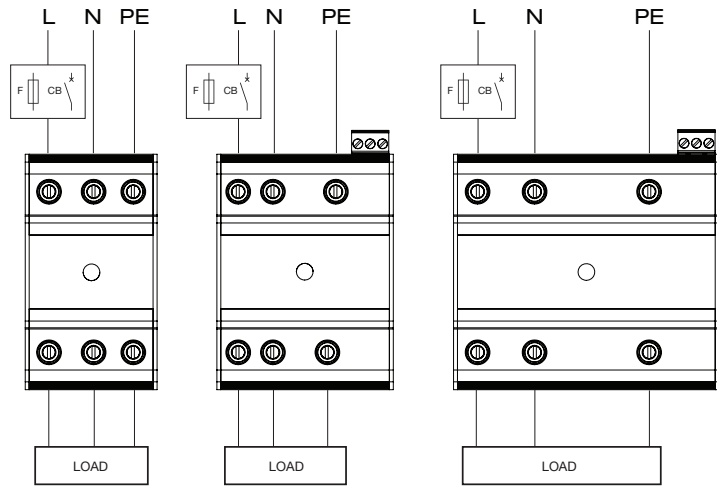
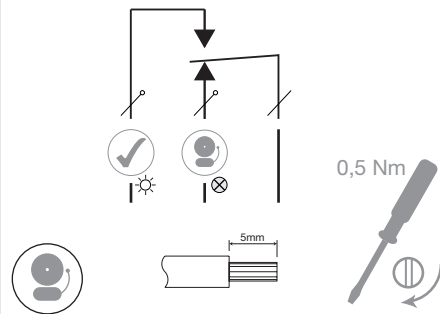
2 Nm



Alarm	
C, NC, NO	≤ 2,5 mm ²

= NO NC C

0,5 Nm



TN / TT / IT system with neutral

SFD1-xx-xxx-275(-A)

Family

Uc

Alarm Option

Value	I _{max} per phase Max impulse 1x 8/20us	I _n per phase Nom impulse 15 x 8/20us	I _{SCCR} Max switchboard fault rating
50	50kA	20kA	25kA
100	50kA	20kA	25kA

Value	F max	CB max
6	6 A gL/gG	6 A "C"
10	10 A gL/gG	10 A "C"
20	20 A gL/gG	20 A "C"
32	32 A gL/gG	32 A "C"

Australian Designed