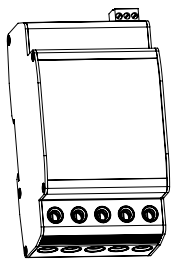


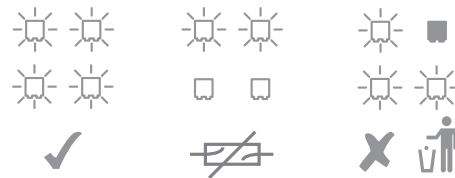
# Novaris®

## HSG Three Phase Hybrid Spark Gap



0062-D6V1

$U_0$	230 V
# Ports	One
$I_{SCCR}$	25 kA if $I_{max} < 200$ kA 50 kA if $I_{max} > 200$ kA
$I_{PE}$	< 10uA
Mounting	TS35 DIN rail
Location	Indoor
Environmental	IP20
	-40 to +70 °C 5 to 95% (non-condensing)

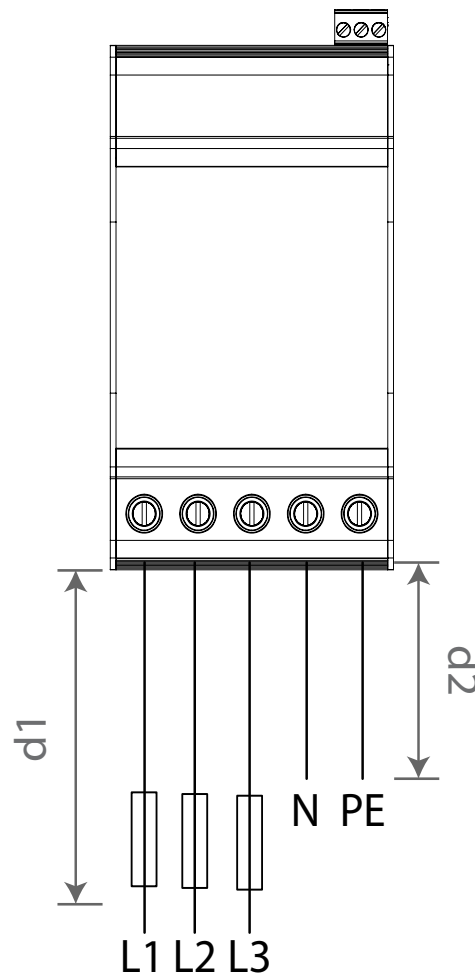
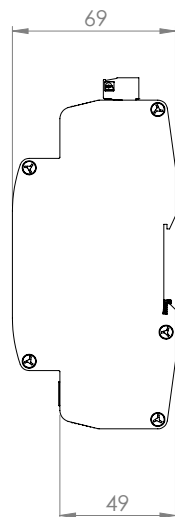
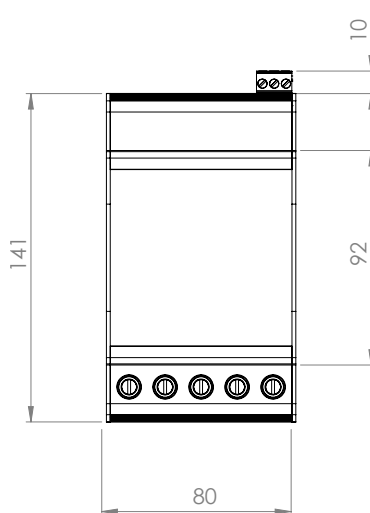


- Replace defective product
- Recycle according to national rules for recycling of electronic products

For additional information see product datasheet on

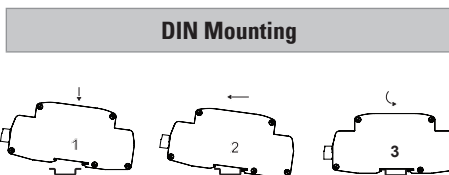
[www.novaris.com.au](http://www.novaris.com.au)

Terminal Information		
Terminal Type		
min Capacity	2.5 mm <sup>2</sup>	0.5 mm <sup>2</sup>
max Capacity	16 mm <sup>2</sup>	2.5 mm <sup>2</sup>
Torque	2 Nm	0.6 Nm
Wire Stripping Length		



$$d1 + d2 \leq 0,5m$$

Alarm		
	11-12 open 11-14 closed	✓
	11-12 closed 11-14 open	✗



### Product Series

**HSG3 - yyy - zzz**



L-N $I_{max}$ <small>Max. impulse 1x 8/20us</small>	L-N $I_n$ <small>Nom. impulse 15 x 8/20us</small>	N-PE $I_{max}$ <small>Max. impulse 1x 8/20us</small>	N-PE $I_n$ <small>Nom. impulse 15 x 8/20us</small>	F max <small>Max. Fuse at <math>I_{SCCR}</math></small>
100kA	40kA	100kA	60kA	63 A gG