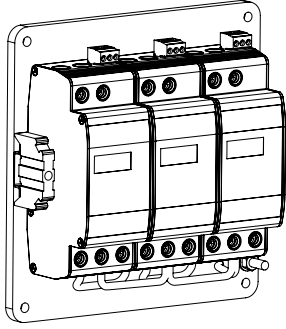


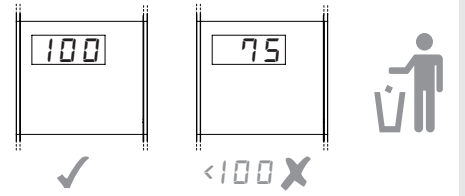
Novaris®

Three Phase MUTIMOV Surge Diverter



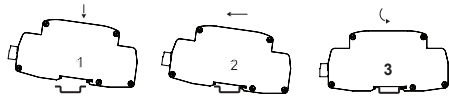
0011-D6V1

U _c	~ 275V
U _o	~ 230V
# Ports	One
t _A	< 25ns
Protection	L-N (L-PE, N-PE optional)
I _{PE}	< 10uA
Mounting	Panel Mount, 6mm Screw
Location	Indoor
Environmental	IP20
	-40° to +70°C 5 to 95% (non-condensing)

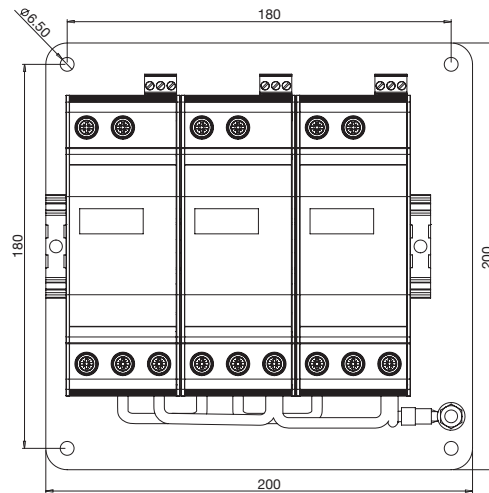
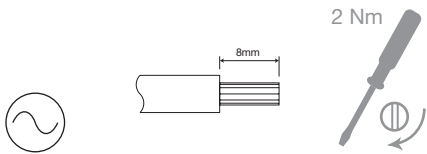


EN 61643-11
DIN VDE 0675-6-11
AS/NZS 1768
IEEE C62.41

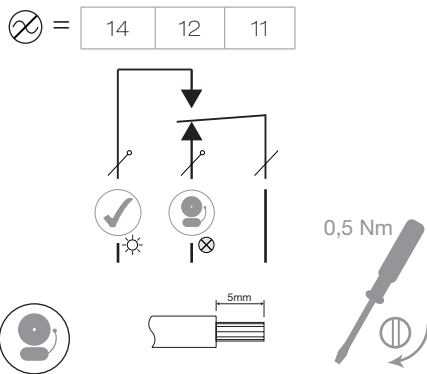
Type 1, 2
class C
categories B, C
categories B, C



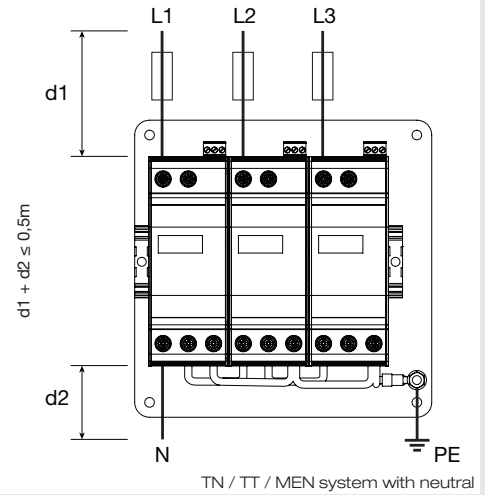
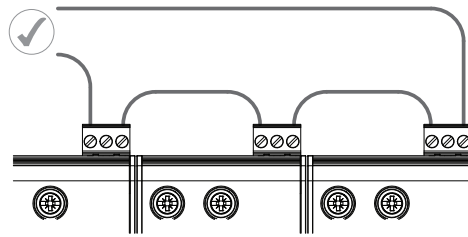
Power	
min L, N, PE	2,5 mm ²
max L, N, PE	16 mm ²



Alarm	
11, 12, 14	≤ 2,5 mm ²



Series Alarm



Product Code	L-N I _{max} Max. impulse 1x 8/20us	L-N I _n Nom. impulse 15 x 8/20us	N-PE I _n Nom. impulse 15 x 8/20us	I _{SCCR} Max. switchboard fault rating	F max Max. Fuse at I _{SCCR}	U _p @ 3kA Voltage Protection Level	Weight
SD3-100-275	100kA	40kA	-	25kA	63 A gG	< 800V	1800g
SD3-150-275	150kA	60kA	-	25kA	80 A gG	< 750V	1900g
SD3-200-275	200kA	80kA	-	50kA	100 A gG	< 700V	2000g
SD3-100-275-N	100kA	40kA	60kA	25kA	63 A gG	< 800V	1800g
SD3-150-275-N	150kA	60kA	100kA	25kA	80 A gG	< 750V	1900g
SD3-200-275-N	200kA	80kA	100kA	50kA	100 A gG	< 700V	2000g