



PART OF THE POWERCOM GROUP

# Telephone Line Protectors

## Installation Instructions



**IMPORTANT:** Please read these instructions carefully. Whilst straightforward, the installation of these devices is critical to their performance. Installation should only be carried out by a suitably qualified person in accordance with all relevant standards.

### 1. Introduction

1.1 These installation instructions apply to Novaris telephone line surge protectors with the following catalogue numbers:

KP1  
KP10  
KP1-i  
KP10-i

1.2 The Novaris KP provides protection for KRONE LSA-PROFIL<sup>®</sup> termination systems and is suitable for all twisted pair telecommunication services. The unique iSwitch technology offers the ultimate in protection against induced transients and AC induction by totally isolating the load from the incoming line during the disturbance.



Figure 1: KP1 & KP10

### 2. Installation

- 2.1 Ensure the earth strap on the profil mounting frame is bonded to earth (Figure 3).
- 2.2 Fit earth clips to the profil rods (Figure 3 & 4). Suitable earth clips are available from Novaris.  
Note: two earth clips are supplied with each KP10
- 2.3 Fit a KRONE LSA-PLUS<sup>®</sup> disconnect block over the two earth clips (Figure 3).
- 2.4 For KP1 units: Fit a KP1 earth bar to the disconnect block (Figure 4). KP1 earth bars are available from Novaris.  
Note: one earth bar is supplied with each order of 10 KP1's
- 2.5 Fit the Novaris telephone line surge protector to the disconnect block (Figure 4). Ensure the unit is installed such that:

- The exposed lines go into the LINE side of the unit.
- The lines to the equipment to be protected come from the EQPT side of the unit.

Note: this may require the unit to be installed upside-down.

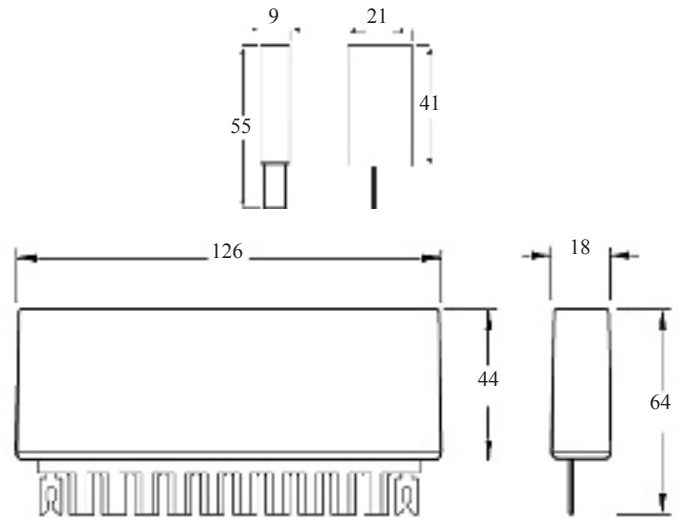


Figure 2: KP1 & KP10 Dimensions

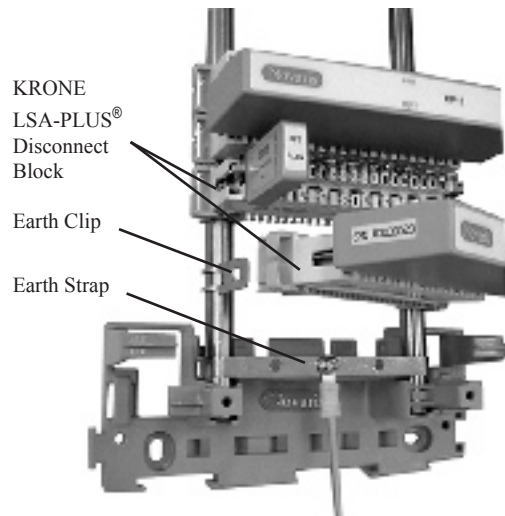
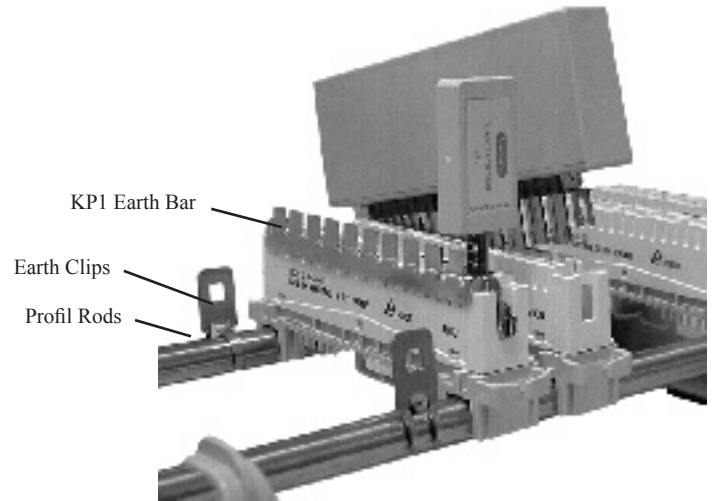


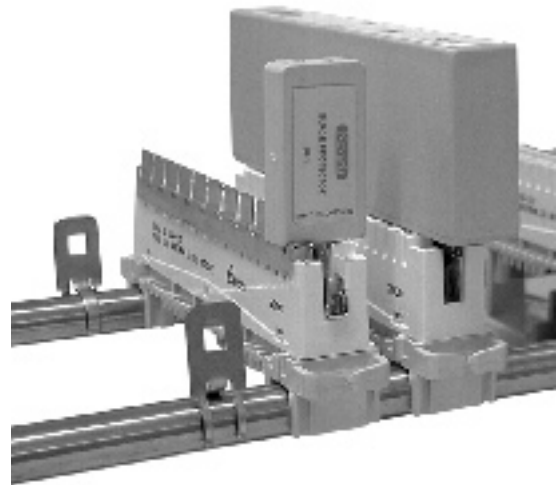
Figure 3: KP1 & KP10 Mounted on KRONE LSA-PLUS<sup>®</sup> Disconnect Block

### 3. After installation

- 3.1 Check the installation by testing that the equipment is still operating correctly.
- 3.2 Novaris telephone line surge protectors are extremely robust and require very little maintenance. They feature failsafe overcurrent fusing. In the event of a surge that is large enough to damage the surge protection components, the fuses will operate. This is easily detectable, as the signal will no longer pass. Under these circumstances the signal line protector should be replaced as soon as possible.



**Figure 4: Partial Installation**



**Figure 3: Installation of a KP1 & KP10**



PART OF THE POWERCOM GROUP

72 Browns Road, Kingston, TAS. 7050  
AUSTRALIA

Telephone: +61 3 6229 7233  
Facsimile: +61 3 6229 9245  
E-mail: [sales@novaris.com.au](mailto:sales@novaris.com.au)  
Web site: [www.novaris.com.au](http://www.novaris.com.au)

No.15, 2nd Floor Jalan Tembaga SD 5/2  
Sri Damansara Industrial Park,  
52200 Kuala Lumpur, Malaysia  
Telephone: 603-6273 1599  
Facsimile: 603-6272 2599  
E-mail: [sales@novaris.com.my](mailto:sales@novaris.com.my)  
Web site: [www.novaris.com.au](http://www.novaris.com.au)