

**IMPORTANT:** Please read these instructions carefully. Whilst straightforward, the installation of these devices is critical to their performance. Installation must be performed by a suitably qualified person in accordance with applicable standards.

## 1. Introduction

**1.1** These user instructions apply to the intrinsically safe M20 threaded Y adapter.

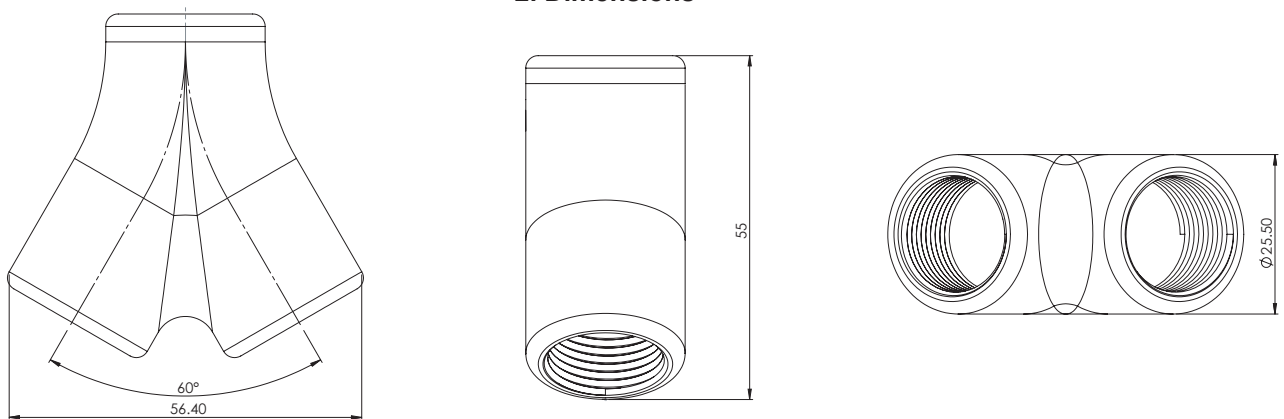
**Cat No.:** IS-SLT-Y-M20

**1.2** This product is a Y-piece adapter with M20 threads to accommodate both a Novaris Threaded Instrument Protector and cable gland where a field instrument has no free cable entry.



**Figure 1: Novaris M20 threaded Y adapter**

## 2. Dimensions



**Figure 2: Dimensions of M20 threaded Y adapter**

## 3. Installation

- 3.1** All Novaris products should be installed in accordance with all relevant installation standards and codes of practice.
- 3.2** Under no circumstances should installation be carried out under live conditions.
- 3.3** The installer should ensure that no damage occurs to any thread or form of seal during installation.
- 3.4** In order to maintain an Ingress Protection rating the installer must ensure that threads are clean of dust and moisture before assembly and an appropriate thread sealant is used.
- 3.5** If a serrated washer is used it must not be installed in such a way that it may impair any IP rating
- 3.6** This product is designed to be hand tightened and not by a particular tool.

## 4. Hazardous Location Application

4.1 The Novaris M20 threaded Y adapter is designed to be installed in zone 0,1 and 2 hazardous locations. Typically, the Y adapter is installed into a spare gland hole on a field instrument to provide an extra cable entry. An example of this is shown in figure 3.

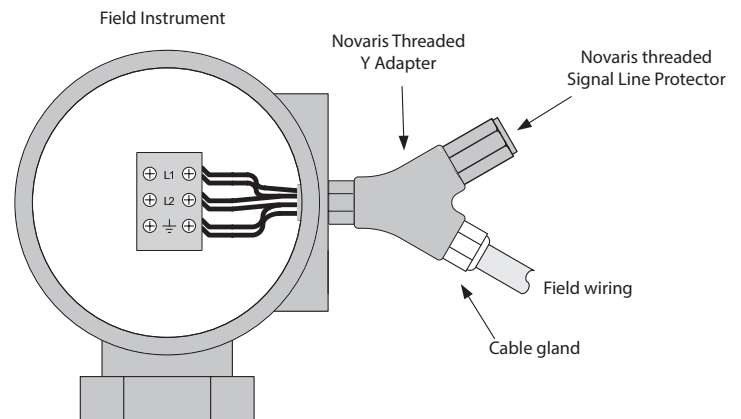


Figure 3: Typical installation of the Threaded Y Adapter

## 5. Special Notes

- 5.1 All threads of the IS-SLT-Y-M20 adapter must be installed hand-tight regardless of the final orientation of the angled components of the fittings to a minimum of 5 full threads or 8mm of engagement.
- 5.2 The fittings and adapters must not be loosened for alignment purposes.
- 5.3 It is the final assemblers/users responsibility to ensure that the threaded joint between the fitting and the associated enclosure meet all the requirements of the applicable standards for the assembly including the IP rating of the enclosure.
- 5.4 Only one IS-SLT-Y-M20 adapter can be used at any single entry on the associated enclosure.
- 5.5 Two adapters installed in series is not permitted under certification.

## 6. Specifications and Standards Compliance

Mechanical Specifications	
Thread Type	M20 x 1.5
Body Material	UNS S31600 Stainless Steel
Body Finish	Raw (Matte)
Weight	120g

### IECEX Certification

Ex db IIC  
 Cert No. IECEX ITA 14.0012U  
**ATEX Directive 94/9/EC**  
 Ⓔ II 2 G Ex d IIC T4 Gb  
 Cert No. TUV 14 ATEX 7600 U

### European Standards

EN 60079-0:2012; 60079-1:2007

### IEC Standards

IEC 60079-0:2011; 60079-1:2007

