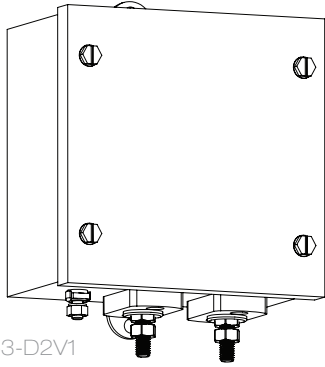


Surge Cathodic Decoupler



0063-D2V1

Connection	Series
Protection Mode	Transverse, Common
# Ports	2
Protection Stages	AC, DC, GDT
Fault Mode	Mode 3
Connection Type	PE M6, +/- M8
Mounting	M8 screw tab
Location	Outdoor
Environmental	IP66
	-40° to +70°C
	5 to 95% (non-condensing)

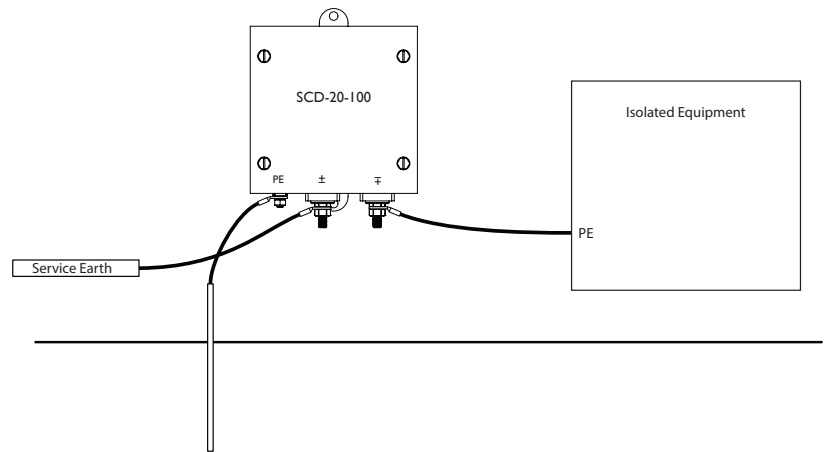
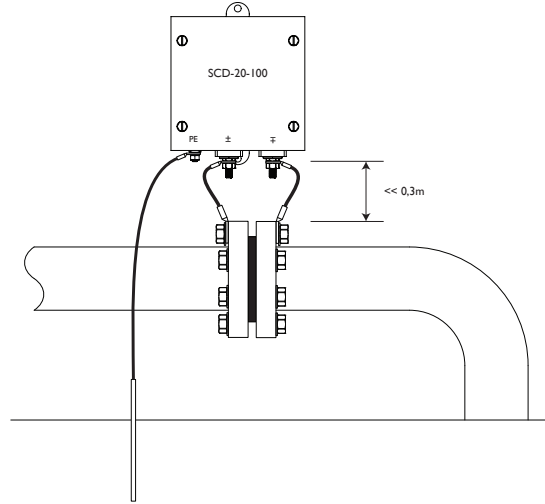
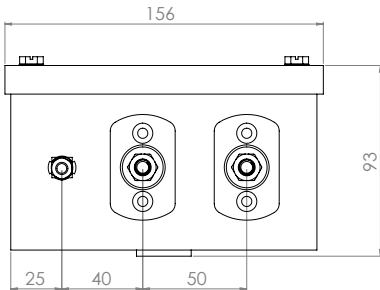
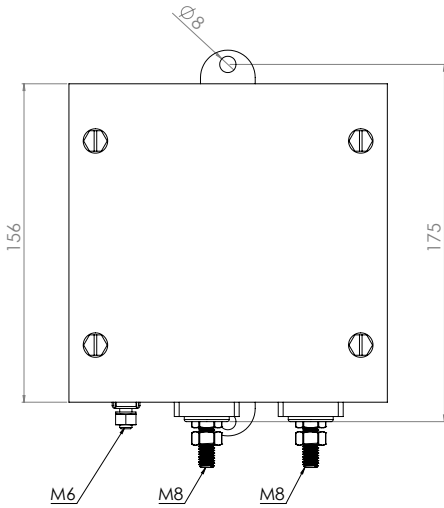
Measuring Failure Mode:

- DC Short Circuit
- AC current Open Circuit
- Increase of 8/20 sparkover



AS/NZS 1768
IEEE C62.41
UL 1449 3rd

categories C
categories C
Type 1



Product Code	I_{max} Max. impulse 1x 8/20us	I_n Nom. impulse 10 x 8/20us	U_c	U_p	DC Conductance	AC Conductance	I_L	Weight
SCD-20-100	100kA	80kA	2.0V	<800V	0.2mA @ 2V 1.0A @ 5V	20A above 10Hz 0.06 Ohm @ 50Hz	20A	2500g