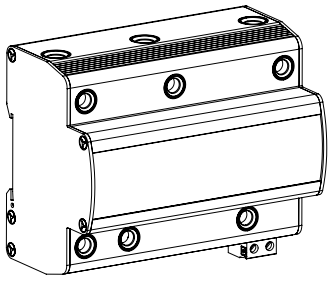


Novaris®

Two Phase SFD2 DINSafe Surge Filter



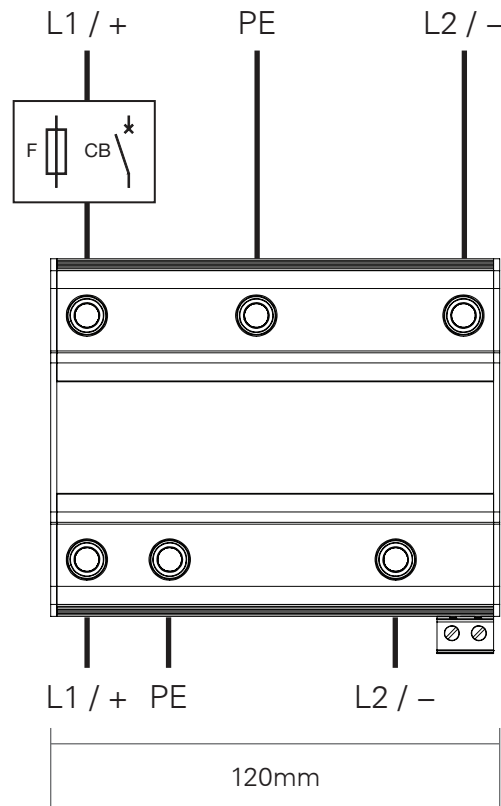
0024-D28V1

# Ports	One
I_{SCCR}	25 kA
I_{PE}	< 10uA
Mounting	TS35 DIN rail
Location	Indoor
Environmental	IP20
	-40 to +70 °C 5 to 95% (non-condensing)

- Replace defective product
- Recycle according to national rules for recycling of electronic products

For additional information see the product datasheet at www.novaris.com.au

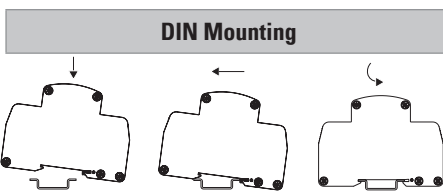
Terminal Information		
Terminal Type		
min Capacity	2.5 mm ²	0.5 mm ²
max Capacity	16 mm ²	2.5 mm ²
Torque	2 Nm	0.6 Nm
Wire Stripping Length		



Line

Equipment

Alarm		
	12-14 closed	✓
	12-14 open	✗



Product Series

I_{max}

SFD2 - xx - yyy - zzz

I_L and \varnothing

U_C

I_{max} Maximum Surge Current		
L-L I_{max} Max. impulse 1x 8/20us	L-L I_n Nom. impulse 15 x 8/20us	L1+L2-PE I_n Nom. impulse 15 x 8/20us
6kA	3kA	6kA
12kA	6kA	12kA
20kA	10kA	20kA
40kA	20kA	40kA
50kA	20kA	20kA
100kA	40kA	40kA

I_L Maximum Load Current		
XX	\varnothing F max	\star CB max
10	10 A gG	10 A "C"
20	20 A gG	20 A "C"
32	32 A gG	32 A "C"